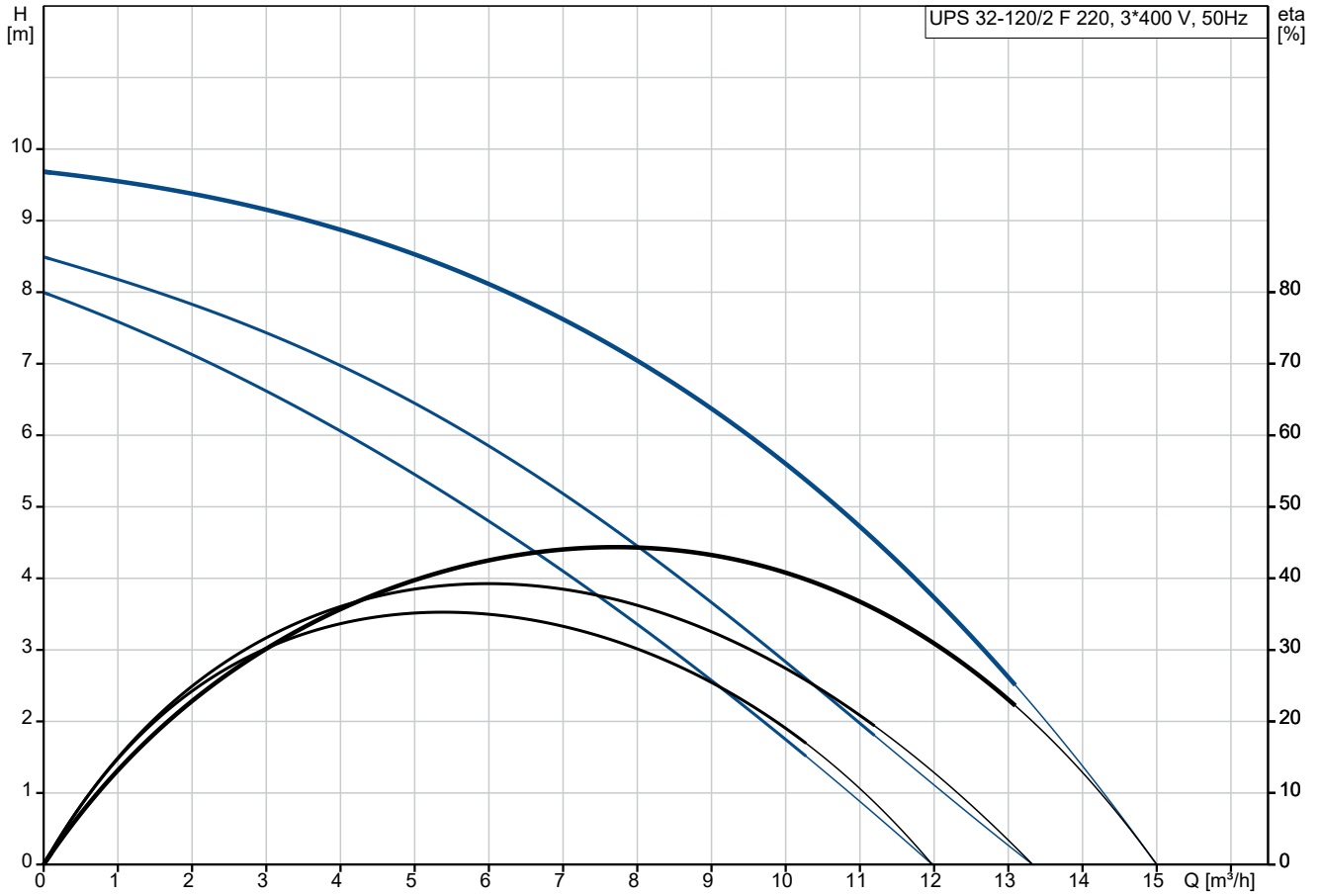
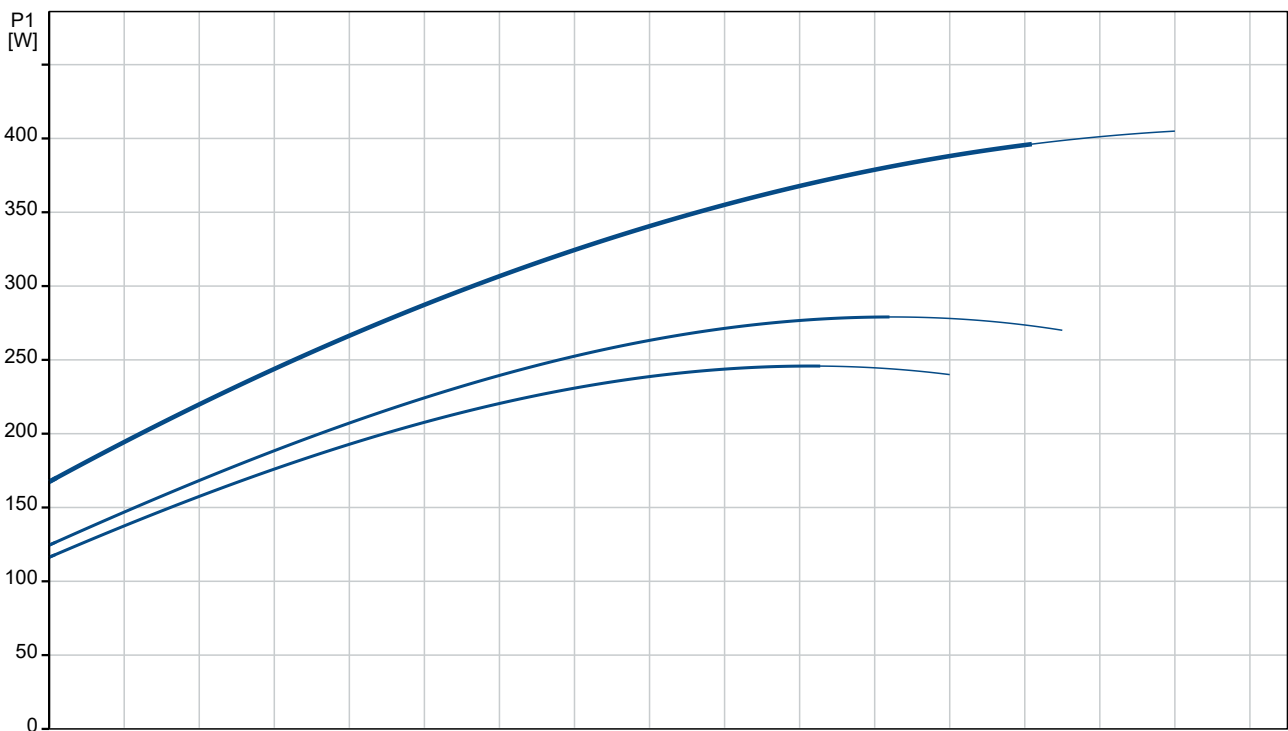


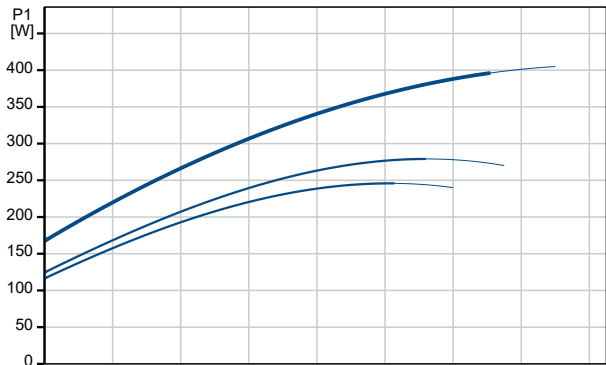
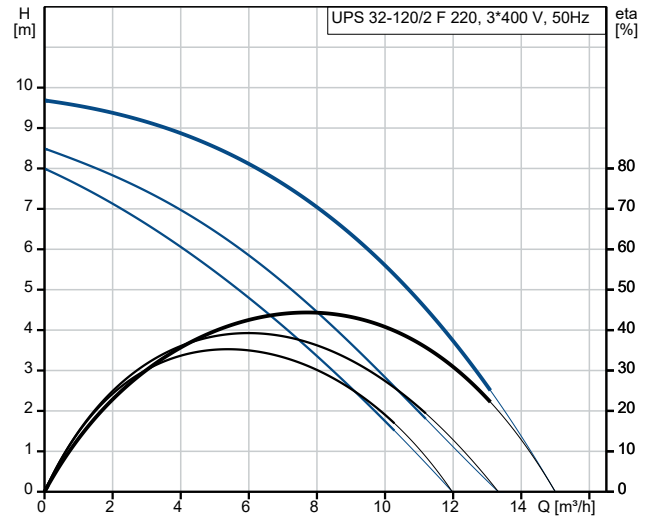
96401839 UPS 32-120/2 F 220 50 Hz



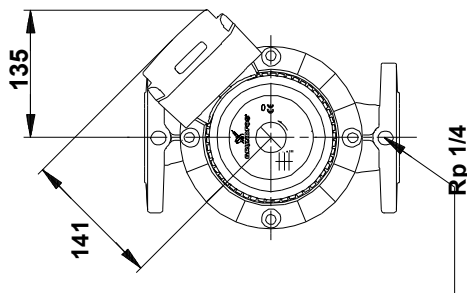
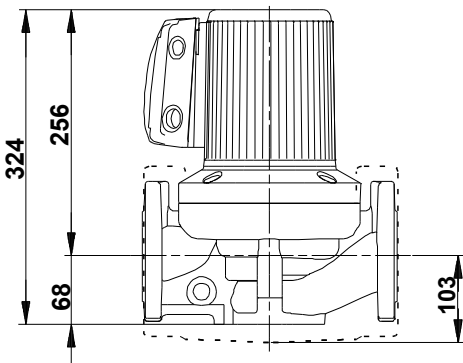
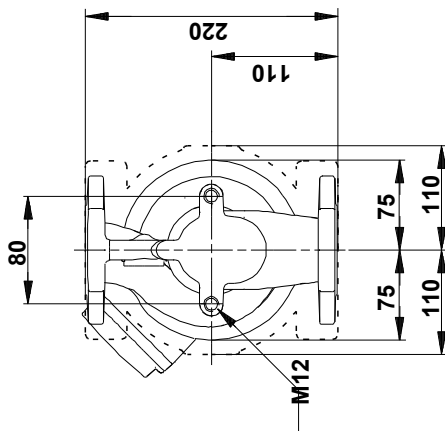
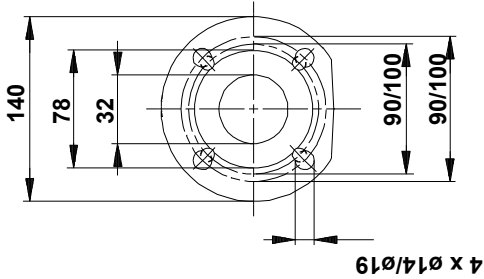
Pumped liquid = Water
Liquid temperature during operation = 60 °C
Density = 983.2 kg/m³



Description	Value
General information:	
Product name:	UPS 32-120/2 F 220
Product No:	96401839
EAN number:	5708601058837
Price:	
Technical:	
Speed no:	3
Rated flow:	7.27 m ³ /h
Rated head:	7.54 m
Maximum head:	120 dm
Approvals:	AAA,EAC
Model:	C
Materials:	
Pump housing:	Cast iron
Pump housing:	EN 1561 EN-GJL-250
Pump housing:	35 B - 40 B
Impeller:	Stainless steel
Impeller:	EN 1.4301
Impeller:	304
Installation:	
Range of ambient temperature:	0 .. 40 °C
Maximum operating pressure:	10 bar
Type of connection:	DIN
Size of connection:	DN 32
Pressure rating for connection:	PN 6/10
Port-to-port length:	220 mm
Liquid:	
Pumped liquid:	Water
Liquid temperature range:	-10 .. 120 °C
Selected liquid temperature:	60 °C
Density:	983.2 kg/m ³
Electrical data:	
Power input in speed 1:	245 W
Power input in speed 2:	280 W
Max. power input:	400 W
Mains frequency:	50 Hz
Rated voltage:	3 x 400-415 V
Current in speed 1:	0.42 A
Current in speed 2:	0.47 A
Current in speed 3:	0.78 A
Cos phi in speed 1:	0.84
Cos phi in speed 2:	0.86
Cos phi:	0.74
Number of poles:	2
Insulation class (IEC 85):	F
Enclosure class (IEC 60529):	X4D
Built-in motor protection:	CONTACT
Thermal protec:	external
Controls:	
Relay:	without relay
Others:	
Terminal box position:	1.30H
Net weight:	16.3 kg
Gross weight:	17.6 kg
Shipping volume:	0.026 m ³
Danish VVS No.:	380705040



96401839 UPS 32-120/2 F 220 50 Hz



Note! All units are in [mm] unless others are stated.
Disclaimer: This simplified dimensional drawing does not show all details.